

# Air Tec®

## Air cushion pad with the little extra

Air cushion pads are developed to give an extra comfort in addition to the benefits offered by pads made of silicone. Our Air Tec series combines the air cushion technology of our Air Active Series to be used with extravagant pad arms to give your frames an elegant style and high comfort!

### Options:

- ... pushing pad inside an oval metal loop pad arm
- ... pulling pad over an oval metal loop pad arm

### and brand *NEW*:

- .. for all system 3 pad arms & frames made by chemical etching

**100% Made in Germany in our own facilities  
and with tested materials only**



F&W Frey&Winkler GmbH

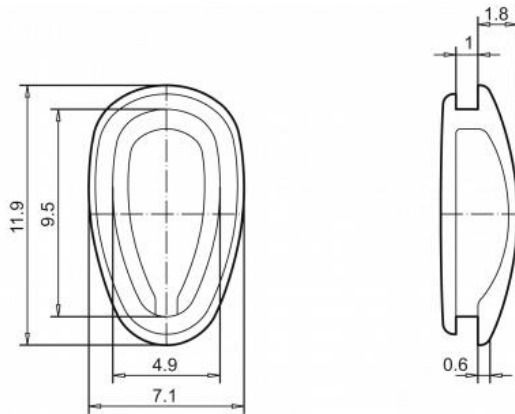
Benzstraße 13  
PO Box 2109  
75203 Königsbach-Stein

Phone: +49 7232 / 30 54-0  
Fax: +49 7232 / 27 90  
E-Mail: [mail@freywinkler.de](mailto:mail@freywinkler.de)  
Web: [www.freywinkler.de](http://www.freywinkler.de)



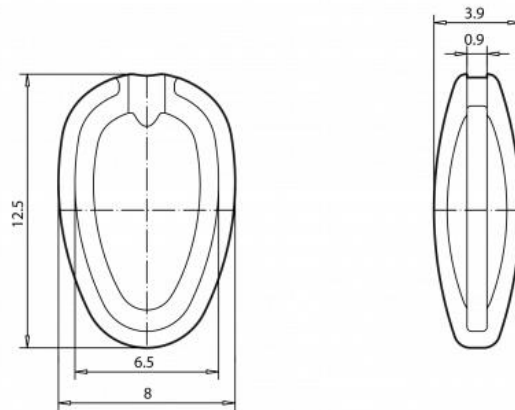
### Air Tec® System 3 matching pad arm no. 3149 – pad to be pushed inside

Article 60608  
Size 11,90 mm



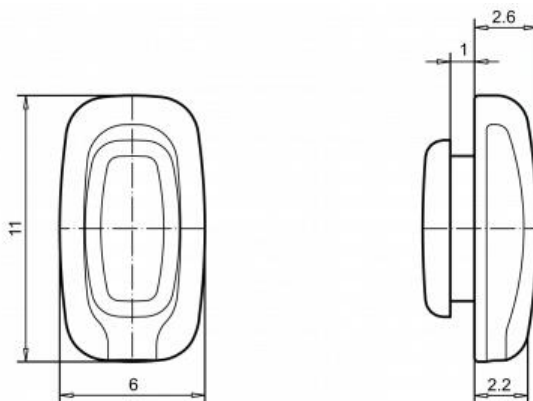
### Air Tec® - Cape Pad System 3 matching pad arm no. 3149 – pad to be pulled over

Article 61025  
Size 12 mm



### Air Tec® System 3 matching pad arm no. 3137, 3170 and 3174

Article 61130  
Size 11 mm



**Body:** Thin elastic body made of anti-allergic silicone, featuring air chamber and corresponding valve

**Insert:** no insert, just pure silicone

For details please visit our online catalogue at: [www.freywinkler.de/online\\_catalogue](http://www.freywinkler.de/online_catalogue)

Check out our other series of air cushion pads: **Air Active®!**

Patent Pending