

# System 4

## More than a step up from System 3

System 4 guarantees to raise the level of comfort to a whole new standard. Discover the new pad arms with their matching nose pads.

We preserved the strength of the popular System 3 – a single pad in silicon with no insert, which adds extra comfort. System 4 provides:

- a slimmer pad arm which greatly reduces metal-to-silicone ratio
- a petite loop in the pad arm allowing greater movement in every angle
- easy assembly
- soft silicone pad maximizing comfort

The result is an all-around flexibility and is luxuriously comfortable. System 4 suits both metal and acetate frames and is available in different pad shapes.

**100% Made in Germany in our own facilities  
and with tested materials only**



F&W Frey&Winkler GmbH

Benzstraße 13  
75203 Königsbach-Stein

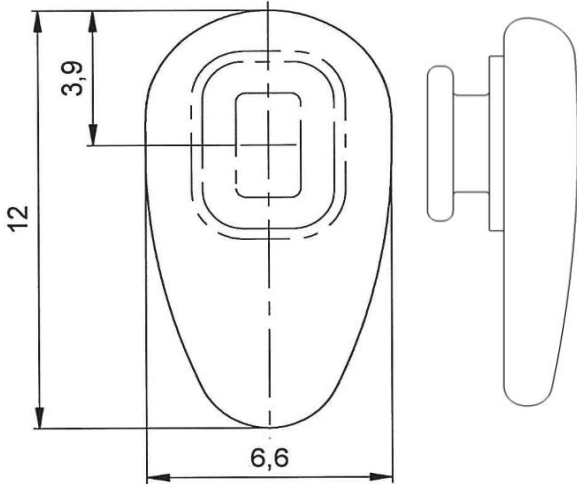
Phone: +49 7232 / 30 54-0  
Fax: +49 7232 / 27 90  
E-Mail: [mail@freywinkler.de](mailto:mail@freywinkler.de)  
Web: [www.freywinkler.de](http://www.freywinkler.de)

Version 2/2018

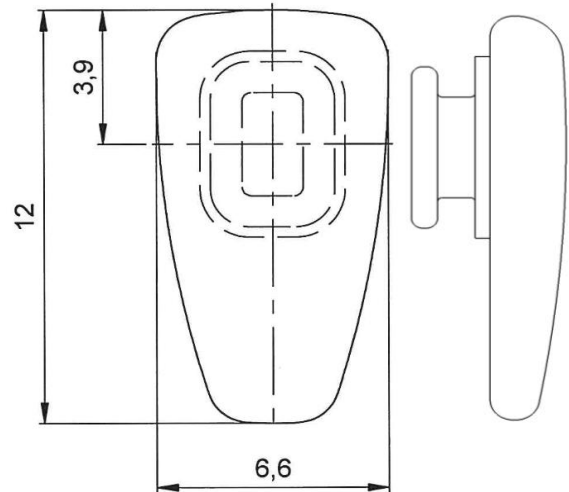
● ● ● | **Nose pad**

One piece pad entirely made of anti-allergic silicone, completely BPA free!  
Soft silicone stud is slid into the opening of pad arm or opening of chemically etched frame.

**Article**      **Size**  
**61193-1**      **12.0 mm**



**Article**      **Size**  
**61192-1**      **12.0 mm**

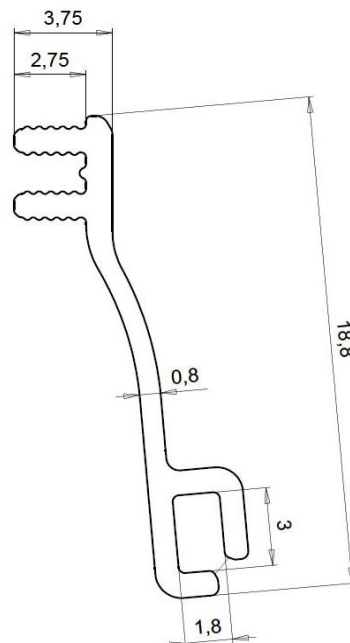


● ● ● | **Pad arm**

The pad arms are an one-piece construction, made of stainless steel. The box is less visible and has a small opening allowing for easy assembly of the nose pad.

Different bendings are available on request.

**Article 3184-1**



More shapes and sizes to come!